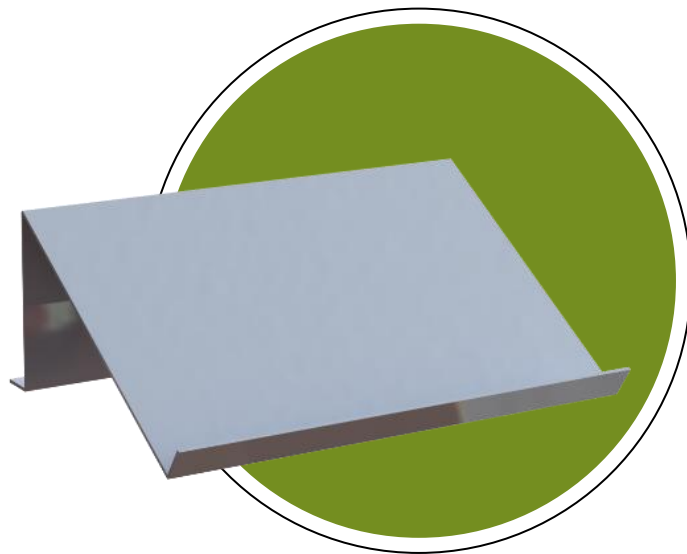




Akura™ Tilting Stand

Technical Specifications



SPEC004, June 2023

Akura™ Tilting Stand Specifications

Article number:	CS-AG11
Product name:	Akura™ Tilting Stand
Pack size:	1x Akura™ Tilting Stand
Material:	Anodized Aluminum (1 mm thickness)
Sterility:	Non-sterile

Stand Dimensions:

Stand length:	132 mm
Stand depth:	93 mm
Stand height:	45 mm
Tilting angle:	30 degrees
Plate area length:	132 mm
Plate area width:	90 mm

Product Description:

The Akura™ Tilting Stand is designed to hold up 1 to 4 Akura™ Spheroid Microplates at a defined angle for directing seeded cells to the edge of the well and enable more efficient and controlled spheroid aggregation (Figure 1). Microplates are placed on the plate area with the long-side facing down. The Akura™ Tilting Stand can be sterilized using conventional methods. Technical specifications are provided in Figure 2.



Figure 1: Akura™ Tilting Stand with one Akura™ 384 Spheroid Microplate.

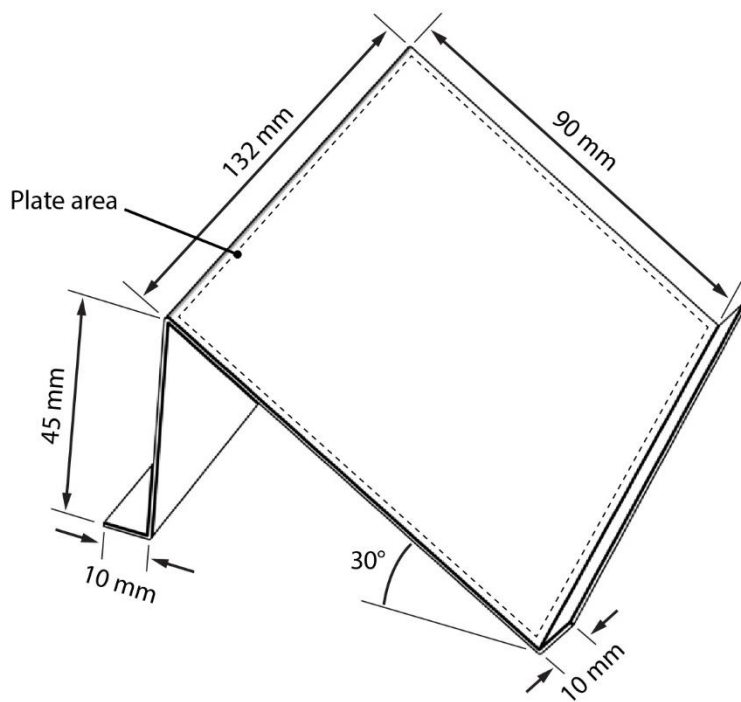


Figure 2: Akura™ Tilting Stand technical specifications.



InSphero AG
Schlieren, Switzerland

InSphero Inc.
Brunswick, ME, USA

If you have more questions, please refer to
the FAQs section on shop.insphero.com

Sign up for latest news and updates at
insphero.com/newsletter

Follow us on LinkedIn and Twitter

InSphero is ISO 9001:2015 certified

All rights reserved, © 2021 InSphero AG.
3D InSight, Akura and InFloat are
trademarks of InSphero AG. For life
science research only. Not for use in
diagnostic procedures.